

NAVIGATE THE CATALOG BY SECTION

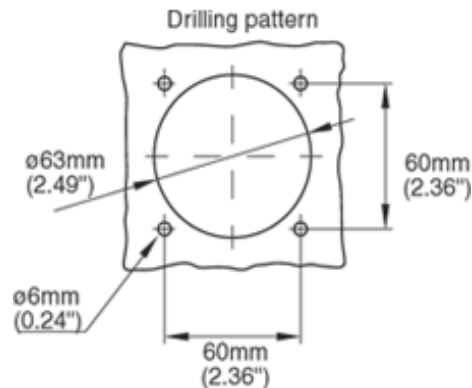
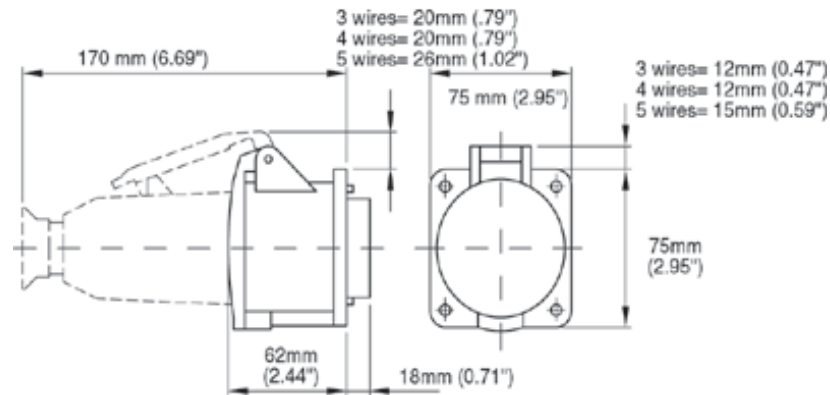
- 1
- 2
- 3
- 4
- 5
- 6
- 7
- 8
- 9
- 10
- 11
- 12
- 13
- 14
- 15
- 16
- 17
- 18
- 19

LAPP ONLINE CATALOG

EPIC® Pin & Sleeve Connectors

30 Amp: North American Version
CEE Straight Female Panel Mount Receptacle

IP 44



TECHNICAL DATA

Impact Resistance:	8J
Ambient Temperature:	-25°C to 70°C
Flame Resistance:	
➤ Glow Wire Test: Enclosure:	850°C
➤ Glow Wire Test: Contact Enclosure:	850°C
➤ Self-Extinguishing: Enclosure:	UL94-V2
➤ Self-Extinguishing: Contact Carrier:	UL94-V2

PART NUMBERS

Part Number	Voltage	# of Wires	# of Poles	Ground-Clock Position
433211FX	125	3	1+N+PE	4
433222FX	250	3	2+PE	6
433250FX	480	3	2+PE	7
NA	250 DC	3	2+PE	3
443212FX	125/250	4	2+N+PE	12
443222FX	3Ø250	4	3+PE	9
443250FX	3Ø480	4	3+PE	7
NA	3Ø600	4	3+PE	5
453222FX	3ØY 120/208	5	3+N+PE	9
453250FX	3ØY 277/480	5	3+N+PE	7
NA	3ØY 347/600	5	3+N+PE	5
453202FX	50-250 (500 Hz)	5	3+N+PE	2

MATING COMPONENTS

- [MULTIMAX Male Plug with Cable Sleeve, IP 44](#)
- [CEE Straight Male Plug with Cable Gland, IP 44](#)



DOWNLOAD PDF CATALOG PAGE